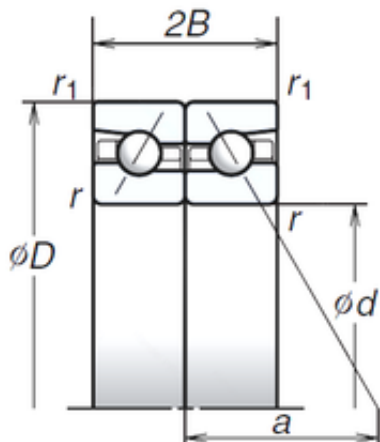




YYH Bearing & Drivetrain Co., Ltd.

55 mm x 90 mm x 16,5 mm NSK 55BAR10S Four-Point Contact Ball Bearings

Bearing No. 55BAR10S



55BAR10S Bearing 2D drawings and 3D CAD models

Size	55x90x16.5 mm
Bore Diameter	55 mm
Outer Diameter	90 mm
Width	16,5 mm
d	55 mm
D	90 mm
B	16,5 mm
C	16,5 mm
Angle (°)	30 °
a	28,9 mm
r min.	1,1 mm
r1 min.	0,6 mm
2B	33 mm
Weight	0,412 Kg
Basic dynamic load rating (C)	18,2 kN
Basic static load rating (C0)	35 kN
(Grease) Lubrication Speed	10 400 r/min
(Oil) Lubrication Speed	13 200 r/min