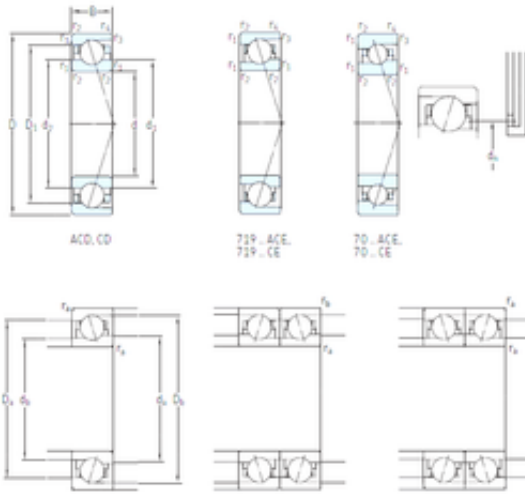




YYH Bearing & Drivetrain Co., Ltd.



70 mm x 90 mm x 10 mm SKF 71814 CD/P4 Four-Point Contact Ball Bearings

Bearing No. 71814 CD/P4

Size	70x90x10 mm
Bore Diameter	70 mm
Outer Diameter	90 mm
Width	10 mm
d	70 mm
D	90 mm
B	10 mm
C	10 mm
d1	76,7 mm
d2	76,7 mm
r1 min.	0,6 mm
r2 min.	0,6 mm
r3 min.	0,3 mm
r4 min.	0,3 mm
D1	83,5 mm
D2	– mm
da min.	73,2 mm
Da max.	86,8 mm
db min	73,2 mm
ra max.	0,6 mm
rb max.	0,3 mm
dh	77,4 mm
Db max	88 mm
Weight	0,13 Kg
Basic dynamic load rating (C)	13,8 kN

71814 CD/P4 Bearing 2D drawings and 3D CAD models



YYH Bearing & Drivetrain Co., Ltd.

Basic static load rating (C ₀)	16 kN
(Grease) Lubrication Speed	14 000 r/min
(Oil) Lubrication Speed	22 000 r/min
Fatigue load limit (P _u)	0,67
d ₁	76.7 mm
d ₂	76.7 mm
D ₁	83.5 mm
r _{1,2} min.	0.6 mm
r _{3,4} min.	0.3 mm
a	15.7 mm
d _a min.	73.2 mm
d _b min.	73.2 mm
D _a max.	86.8 mm
D _b max.	88 mm
r _a max.	0.6 mm
r _b max.	0.3 mm
d _n	77.4 mm
Basic dynamic load rating C	13.8 kN
Basic static load rating C ₀	16 kN
Fatigue load limit P _u	0.67 kN
Attainable speed for grease lubrication	14000 r/min
Attainable speed for oil-air lubrication	22000 r/min
Ball diameter D _w	5.556 mm
Number of balls z	31
Reference grease quantity G _{ref}	1.4 cm ³
Preload class A G _A	73 N
Static axial stiffness, preload class A	65 N/ μ m
Preload class B G _B	220 N
Static axial stiffness, preload class B	112 N/ μ m



YYH Bearing&Drivetrain Co., Ltd.

Preload class C G_C	440 N
Static axial stiffness, preload class C	166 N/ μ m
Calculation factor f	1.32
Calculation factor f_1	1
Calculation factor f_{2A}	1
Calculation factor f_{2B}	1.09
Calculation factor f_{2C}	1.16
Calculation factor f_{HC}	1
Calculation factor f_0	17.2
Mass bearing	0.13 kg