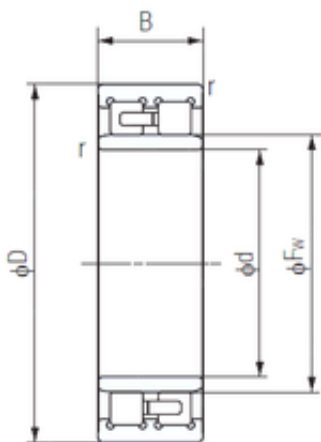




YYH Bearing & Drivetrain Co., Ltd.

160 mm x 220 mm x 60 mm NACHI NNU4932 Four-Point Contact Ball Bearings

Bearing No. NNU4932



NNU4932 Bearing 2D drawings and 3D CAD models

Size	160x220x60 mm
Bore Diameter	160 mm
Outer Diameter	220 mm
Width	60 mm
d	160 mm
Fw	178,5 mm
D	220 mm
B	60 mm
C	60 mm
r min.	2 mm
Weight	6,25 Kg
Basic dynamic load rating (C)	365 kN
Basic static load rating (C0)	760 kN
(Grease) Lubrication Speed	4000 r/min