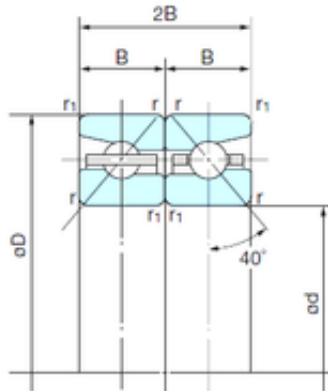




YYH Bearing & Drivetrain Co., Ltd.

170 mm x 260 mm x 30,5 mm NACHI
 170TBH10DB Eco-friendly super high-speed
 angular contact ball bearings



Bearing No. 170TBH10DB

Size	170x260x30.5 mm
Bore Diameter	170 mm
Outer Diameter	260 mm
Width	30,5 mm
d	170 mm
D	260 mm
B	30,5 mm
Angle ()	40 °
r min.	2.1 mm
r1 min.	1.1 mm
2B	61 mm
Basic dynamic load rating (C)	182 kN
Basic static load rating (C0)	580 kN
(Grease) Lubrication Speed	2300 r/min

170TBH10DB Bearing 2D drawings and 3D CAD models