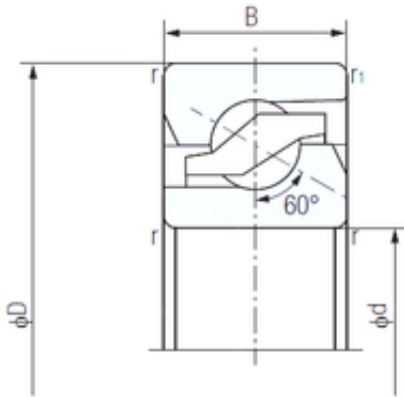




# YYH Bearing & Drivetrain Co., Ltd.

## 20 mm x 47 mm x 15 mm NACHI 20TAB04 Eco-friendly super high-speed angular contact ball bearings



Bearing No. 20TAB04

20TAB04 Bearing 2D drawings and 3D CAD models

Size	20x47x15 mm
Bore Diameter	20 mm
Outer Diameter	47 mm
Width	15 mm
d	20 mm
D	47 mm
B	15 mm
C	15 mm
Angle ( ° )	60 °
r min.	1 mm
r1 min.	0,6 mm
Weight	0,12 Kg
Basic dynamic load rating (C)	25,9 kN
Basic static load rating (C0)	32 kN
(Grease) Lubrication Speed	6300 r/min
Enclosure	Open
Configuration	Single Row
Bore Type	Cylindrical Bore
Bore Size	20 mm
Outside Diameter	47 mm
Width	15 mm
Fillet Radius/Chamfer	1 mm
r1	0.6 mm
a	0 mm



## YYH Bearing&Drivetrain Co., Ltd.

2B	30 mm
Dynamic Load Rating	25,900 N
Static Load Rating	32,000 N
Limiting Speed - Grease	6,300 rpm
Limiting Speed - Oil	8,000 rpm
Starting Torque - Grease Lubrication	15 N · cm
da1 (min)	33.7 mm
da2 (min)	26.8 mm
Da1 (max)	33.5 mm
Da2 (max)	41 mm