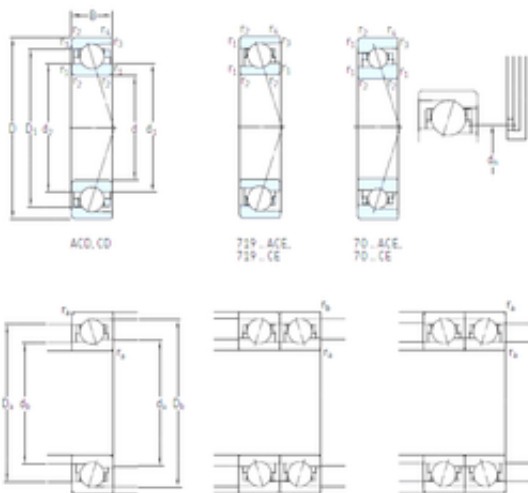




# YYH Bearing & Drivetrain Co., Ltd.



100 mm x 140 mm x 20 mm SKF 71920  
CB/HCP4A double direction angular contact  
thrust ball bearings

Bearing No. 71920 CB/HCP4A

Size	100x140x20 mm
Bore Diameter	100 mm
Outer Diameter	140 mm
Width	20 mm
d	100 mm
D	140 mm
B	20 mm
C	20 mm
d1	114,9 mm
d2	113,2 mm
r1 min.	1,1 mm
r2 min.	1,1 mm
r3 min.	0,6 mm
r4 min.	0,6 mm
D1	128,7 mm
D2	128,7 mm
da min.	106 mm
Da max.	134 mm
db min	106 mm
ra max.	1 mm
rb max.	0,6 mm
dh	116,1 mm
Db max	136,8 mm
Weight	0,8 Kg
Basic dynamic load rating	21,6 kN

71920 CB/HCP4A Bearing 2D drawings and 3D CAD models



## YYH Bearing & Drivetrain Co., Ltd.

(C)	
Basic static load rating (C <sub>0</sub> )	22,4 kN
(Grease) Lubrication Speed	15 000 r/min
(Oil) Lubrication Speed	24 000 r/min
Fatigue load limit (P <sub>u</sub> )	0,865
d <sub>1</sub>	114.92 mm
d <sub>2</sub>	113.16 mm
D <sub>2</sub>	128.7 mm
r <sub>1,2</sub> min.	1.1 mm
r <sub>3,4</sub> min.	0.6 mm
a	28.9 mm
d <sub>a</sub> min.	106 mm
d <sub>b</sub> min.	106 mm
D <sub>a</sub> max.	134 mm
D <sub>b</sub> max.	136.8 mm
r <sub>a</sub> max.	1 mm
r <sub>b</sub> max.	0.6 mm
d <sub>n</sub>	116.1 mm
Basic dynamic load rating C	29.1 kN
Basic static load rating C <sub>0</sub>	36 kN
Fatigue load limit P <sub>u</sub>	0.865 kN
Attainable speed for grease lubrication	15000 r/min
Attainable speed for oil-air lubrication	24000 r/min
Ball diameter D <sub>w</sub>	7.938 mm
Number of balls z	37
Reference grease quantity G <sub>ref</sub>	9.96 cm <sup>3</sup>
Preload class A G <sub>A</sub>	72 N
Static axial stiffness, preload class A	67 N/ μ m
Preload class B G <sub>B</sub>	145 N



## YYH Bearing&Drivetrain Co., Ltd.

Static axial stiffness, preload class B	88 N/ $\mu$ m
Preload class C $G_C$	430 N
Static axial stiffness, preload class C	139 N/ $\mu$ m
Calculation factor f	1.11
Calculation factor $f_1$	1
Calculation factor $f_{2A}$	1
Calculation factor $f_{2B}$	1.03
Calculation factor $f_{2C}$	1.08
Calculation factor $f_{HC}$	1.01
Calculation factor $f_0$	10
Mass bearing	0.8 kg