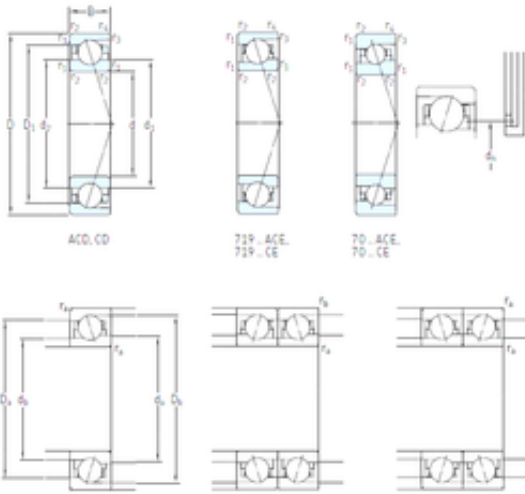




# YYH Bearing & Drivetrain Co., Ltd.



120 mm x 215 mm x 40 mm SKF 7224  
ACD/HCP4A double direction angular contact  
thrust ball bearings

Bearing No. 7224 ACD/HCP4A

7224 ACD/HCP4A Bearing 2D drawings and 3D CAD models

Size	120x215x40 mm
Bore Diameter	120 mm
Outer Diameter	215 mm
Width	40 mm
d	120 mm
D	215 mm
B	40 mm
C	40 mm
d1	150,3 mm
d2	150,3 mm
r1 min.	2,1 mm
r2 min.	2,1 mm
r3 min.	1,1 mm
r4 min.	1,1 mm
D1	186,7 mm
D2	– mm
da min.	132 mm
Da max.	203 mm
db min	132 mm
ra max.	2 mm
rb max.	1 mm
dh	158,2 mm
Db max	208 mm
Weight	4,4 Kg
Basic dynamic load rating	190 kN



## YYH Bearing&Drivetrain Co., Ltd.

(C)	
Basic static load rating (C <sub>0</sub> )	183 kN
(Grease) Lubrication Speed	7 000 r/min
(Oil) Lubrication Speed	11 000 r/min
Fatigue load limit (P <sub>u</sub> )	6
d <sub>1</sub>	150.3 mm
d <sub>2</sub>	150.3 mm
D <sub>1</sub>	186.7 mm
r <sub>1,2</sub> min.	2.1 mm
r <sub>3,4</sub> min.	1.1 mm
a	59.6 mm
d <sub>a</sub> min.	132 mm
d <sub>b</sub> min.	132 mm
D <sub>a</sub> max.	203 mm
D <sub>b</sub> max.	208 mm
r <sub>a</sub> max.	2 mm
r <sub>b</sub> max.	1 mm
d <sub>n</sub>	158.2 mm
Basic dynamic load rating C	190 kN
Basic static load rating C <sub>0</sub>	183 kN
Fatigue load limit P <sub>u</sub>	6 kN
Attainable speed for grease lubrication	7000 r/min
Attainable speed for oil-air lubrication	11000 r/min
Ball diameter D <sub>w</sub>	30.162 mm
Number of balls z	15
Reference grease quantity G <sub>ref</sub>	69.084 cm <sup>3</sup>
Preload class A G <sub>A</sub>	1200 N
Static axial stiffness, preload class A	375 N/ μ m
Preload class B G <sub>B</sub>	2400 N



## YYH Bearing&Drivetrain Co., Ltd.

Static axial stiffness, preload class B	488 N/ $\mu$ m
Preload class C $G_C$	4800 N
Static axial stiffness, preload class C	643 N/ $\mu$ m
Preload class D $G_D$	9600 N
Static axial stiffness, preload class D	862 N/ $\mu$ m
Calculation factor f	1.08
Calculation factor $f_1$	0.99
Calculation factor $f_{2A}$	1
Calculation factor $f_{2B}$	1.01
Calculation factor $f_{2C}$	1.03
Calculation factor $f_{2D}$	1.06
Calculation factor $f_{HC}$	1.01
Calculation factor e	0.68
Calculation factor (single, tandem) $Y_2$	0.87
Calculation factor (single, tandem) $Y_0$	0.38
Calculation factor (single, tandem) $X_2$	0.41
Calculation factor (back-to-back, face-to-face) $Y_1$	0.92
Calculation factor (back-to-back, face-to-face) $Y_2$	1.41
Calculation factor (back-to-back, face-to-face) $Y_0$	0.76
Calculation factor (back-to-back, face-to-face) $X_2$	0.67
Mass bearing	4.41 kg